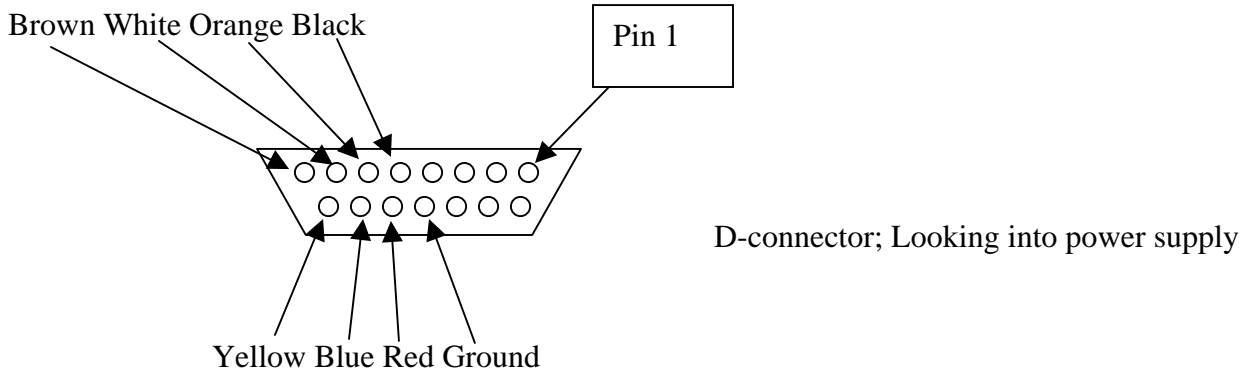
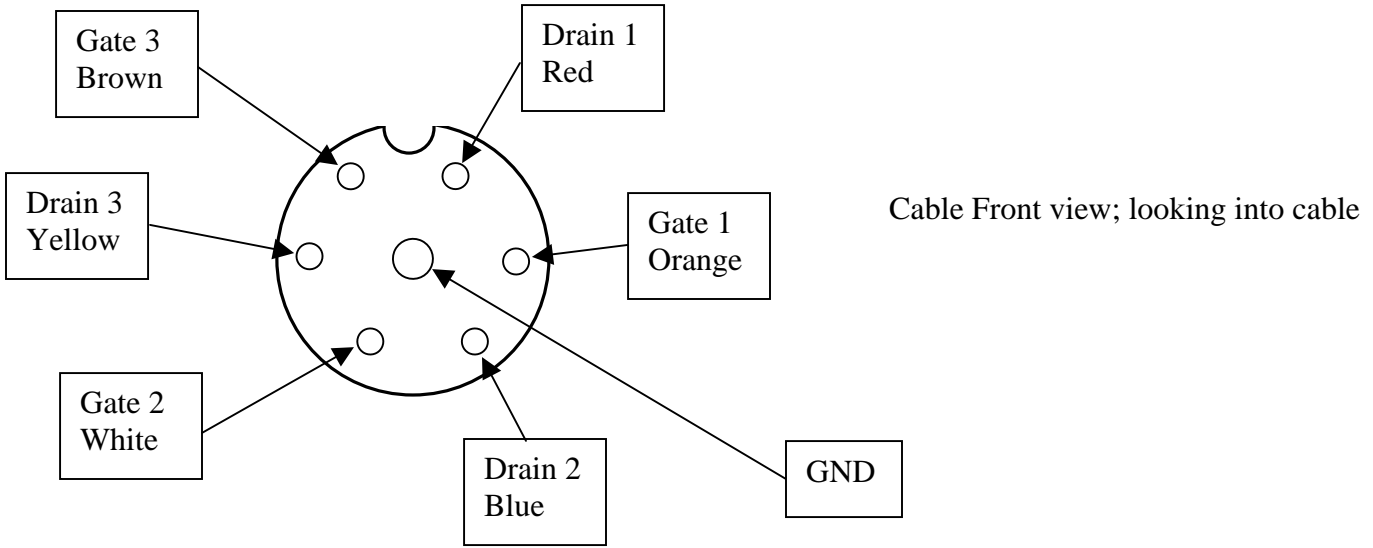


*Cryogenic Amplifier Pinout Diagrams*



Connector = Microtech 7-pin Male